

## DH-CA-FW480CP/N

700TVL Waterproof IR Camera



### Model

**DH-CA-FW480CP:** 700TVL, IR LED, IP66, PAL

**DH-CA-FW480CN:** 700TVL, IR LED, IP66, NTSC

**Optional Model:**

DH-CA-FW480CP-IR0 / DH-CA-FW480CN-IR0

DH-CA-FW480CP-IR1 / DH-CA-FW480CN-IR1

DH-CA-FW480CP-IR2 / DH-CA-FW480CN-IR2

DH-CA-FW480CP-IR3 / DH-CA-FW480CN-IR3

### Features

- > 1/3" SONY EXview HAD CCD II & Effio-E DSP
- > High resolution of 700TVL(Color)
- > Mini. Illumination of 0.02Lux@F1.2, 0Lux(IR On)
- > AGC, ATW, BLC
- > Built-in IR LEDs (5m~50m)
- > Optional Lens (2.8mm, 3.6mm, 6mm, 8mm, 12mm, 16mm)
- > IP66, DC12V

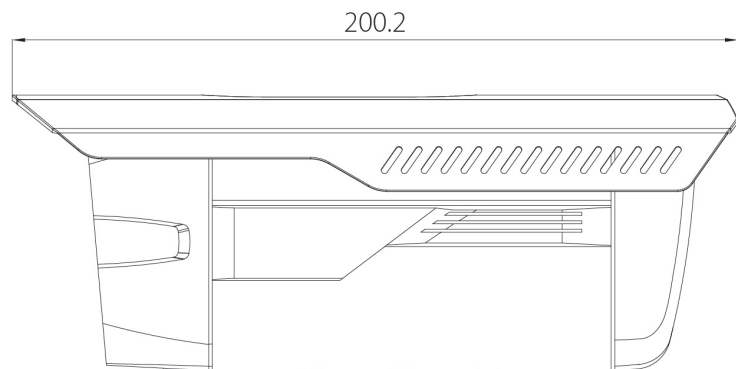
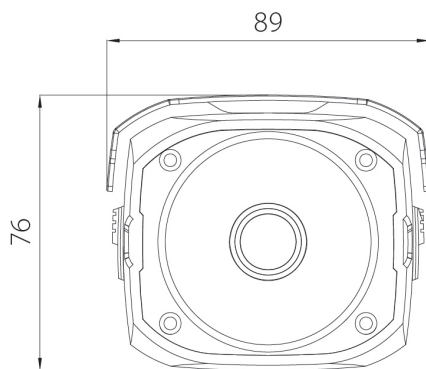
## DH-CA-FW480CP/N

### Specifications

Model	DH-CA-FW480CP	DH-CA-FW480CN
<b>Camera</b>		
Image Sensor	1/3" EXview HAD CCD II	
Video Format	PAL	NTSC
Effective Pixels	976(H) x 582(V), 570K pixels	976(H) x 494(V), 480K pixels
Horizontal Resolution	Color: 700TVL	
Mini. Illumination	0.02Lux@F1.2	
Electronic Shutter	Auto: 1/50s~1/100,000s	Auto: 1/60s~1/100,000s
AGC	Auto	
White Balance	ATW	
Backlight	BLC	
Synchronization	Internal	
S/N Ratio	>60dB	
Video Output	1Vp-p Composite Output (75Ω/BNC)	
<b>Lens</b>		
Focal Length	-IR0: default: 3.6mm, (2.8mm, 6mm optional)	
	-IR1: default: 6mm, (3.6mm, 8mm optional)	
	-IR2: default: 12mm, (6mm, 8mm optional)	
	-IR3: default: 16mm, (8mm, 12mm optional)	
Lens Type	Manual	
<b>General</b>		
Ingress Protection	IP 66	
IR LED Length	-IR0: 5m~10m	
	-IR1: 10m~20m	
	-IR2: 20m~30m	
	-IR3: 30m~50m	
Power Supply	DC12V±10%	
Power Consumption	Max 7W	
Working Temperature	-30°C~+60°C	
Dimension	200.2mm x 89mm x 76mm	
Weight	1000g	

## DH-CA-FW480CP/N

### Dimensions (mm)



---

### Dahua Technology Co., Ltd.

1187 BinAn Road, Binjiang District, Hangzhou, China

Tel: +86-571-87688883

Fax: +86-571-87688815

Email: [overseas@dahuatech.com](mailto:overseas@dahuatech.com)

[www.dahuatech.com](http://www.dahuatech.com)

\*Design and specifications are subject to change without notice.

© 2011 Dahua Technology Co., Ltd.